



16-mm H-M1-N-R-B      16-mm H-M1-S

- Anti-Vandal IK09/ Sealed IP65
- Illuminated and Non-Illuminated
- Flat/ Concave
- Momentary/ Latching
- Variety of colors

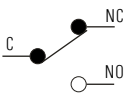
Momentary: Без фиксации  
Latching: С фиксацией

### Order Code

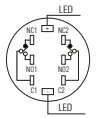
Series	Actuator Options	Terminal	Function	Material Finish	Illuminated Options	Color	Voltage	Protection
16-mm 16S Short body	F- Flat H- Raised flat C- Concave G- Guarded concave	Pin(2.8x0.5) blank	M- Momentary 1 1N01NC 2 2N02NC Z- Latching 1 1N01NC 2 2N02NC	A- Anodized aluminum N- Nickel plated brass S- Stainless steel P Polished Rotation blank	D- Dot R- Ring Non-illuminated blank	W- White Y- Yellow B- Blue G- Green R- Red O- Orange	6V 12V 24V 36V 110V 230V	Blank IP40 IP65

CE Remark: 16-mm "S" will be non-illuminated

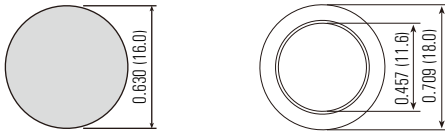
### Operation



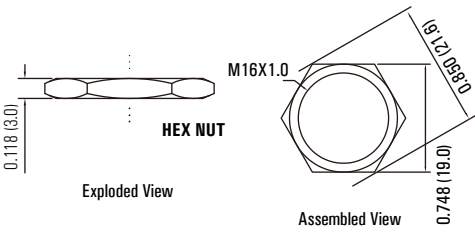
### Description



### Suggested Panel Cutout



Max. Panel Thickness: 0.394 (10.0)

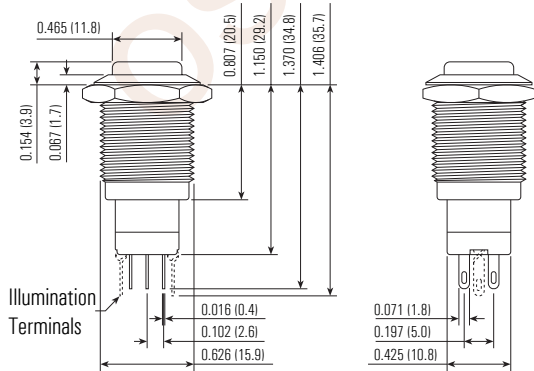


### Technical Data

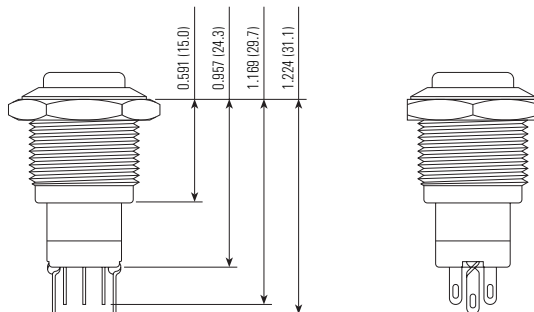
Type	16-F/ 16s-F	16-F/R	16-F/D
<b>Illuminated Type</b>	Non-Illuminated	Ring	Dot
<b>Terminal</b>	Pin(1.8X0.4)		
<b>Max. Switch Rating</b>	3A 250VAC		
<b>Contact Resistance</b>	≤ 50m Ω		
<b>Insulation Resistance</b>	≥ 1000m Ω		
<b>Dielectric Strength</b>	2000VAC		
<b>Operation Temp.</b>	-20 C ~ +55 C		
<b>Mechanical Life</b>	1,000,000cycles		
<b>Electrical Life</b>	200,000cycles		
<b>Contact Material</b>	Silver Alloy		
<b>Torque</b>	5 ~ 14Nm		
<b>Operation Pressure</b>	approx. 5N		
<b>Protection</b>	IP40, IP65/ IK09		
<b>Material</b>			
<b>Button</b>	Stainless Steel/ Nickel Plated Brass/ Anodized Aluminum		
<b>Body</b>	Stainless Steel/ Nickel Plated Brass/ Anodized Aluminum		
<b>Base</b>	PBT		
<b>Color</b>			
<b>Type</b>	LED		
<b>Voltage</b>	6V/ 12V/ 24V/ 36V/ 110V/ 230V		
<b>Color</b>	R G Y O B W		
<b>Life</b>	Approx. 40, 000hours		

\*Crust material and Color voltage can be customized.

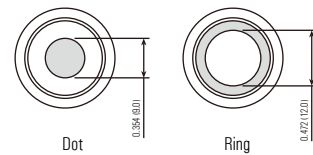
### Dimension



### Short Body Version



### Illuminated Options



### Actuator Options

