

Vandal Resistant Switch

Ø16mm

RoHS COMPLIANCE

Anti-Vandal IK09/ Sealed IP65

Illuminated and Non-Illuminated

Variety of colors



Momentary: Без фиксации

Order Code

Series	Actuator Options	Terminal	Function	Material Finish	Illuminated Options	Color	Color Voltage	Marking Options
16s	F-Flat	Pin(2.0x0.5) blank	M-Momentary 1-1NO	S-Stainless Steel A-*Anodized Aluminum N-Nickel plated brass	D-Dot R-Ring Non-illuminated blank	W-White Y-Yellow B-Blue G-Green R-Red O-Orange	6V 12V 24V 36V 110V 230V	Custom Markings Available



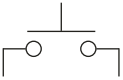
Technical Data

Type	16s-F	16s-F/R	16s-F/D
Illuminated Options	Non-Illuminated	Ring	Dot
Terminal	Pin(2.0x0.5)		
Max. Switch Rating	2A 48VDC		
Contact Resistance	≤ 50m Ω		
Insulation Resistance	≥ 1000m Ω		
Dielectric Strength	2000VAC		
Operation Temp.	-20 C ~ +55 C		
Mechanical Life	1,000,000cycles		
Electrical Life	200,000cycles		
Contact Material	Silver Alloy		
Torque	5 ~ 14Nm		
Operation Pressure	approx. 5N		
Protection	IP65/ IK09		
Material			
Actuator	Stainless Steel/ Nickel Plated Brass/ *Anodized Aluminum		
Body	Stainless Steel/ Nickel Plated Brass/ *Anodized Aluminum		
Base	PBT		
Color			
Type	LED		
Color	R Y O	G B W	
Voltage	AC/ DC 1.7V	AC/ DC 2.8V	
Life	Approx. 40, 000hours		

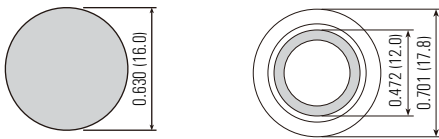
Current-limiting Resistance Configuration Table	Operating Voltage(U)				Formula $R = \frac{U - U_e}{I_e}$
	6V	12V	24V	36V	
Current-limiting Resistance(R)	R Y O	210Ω, 1/4W	510Ω, 1/2W	1.2kΩ, 3/4W	2.2kΩ, 1W
	G B W	160Ω, 1/4W	460Ω, 1/2W	1.2kΩ, 3/4W	2.2kΩ, 1W

*Material can be customized.

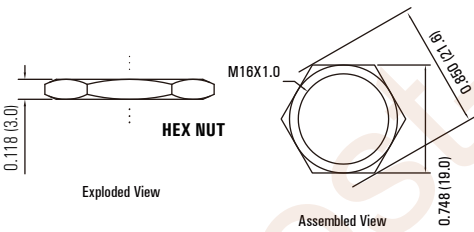
Operation



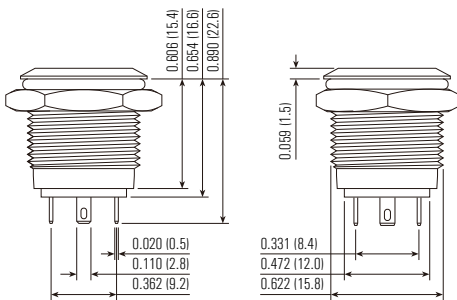
Panel Cutout



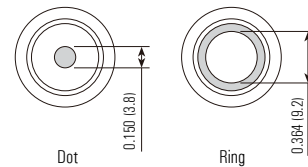
Max. Panel Thickness: 0.394 (10.0)



Dimension



Illuminated Options



Actuator Options

