

**RoHS COMPLIANCE**



19M-F-S-R-B

19M-F-N-S-D-R

- Anti-Vandal IK09/ Sealed IP65
- Illuminated and Non-Illuminated
- Momentary
- Variety of colors

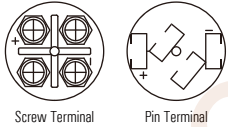
### Order Code

Series	Actuator Options	Terminal	Function	Material Finish	Illuminated Options	Color	Color Voltage	Marking Options
19M	F- Flat	Pin(2.8x0.8) blank N- Screw	Momentary Blank	S- Stainless Steel A- Anodized Aluminum	D- Dot R- Ring Non-illuminated blank	W- White Y- Yellow B- Blue G- Green R- Red O- Orange	6V 12V 24V 36V 110V 230V	Custom Markings Available

### Operation



### Description

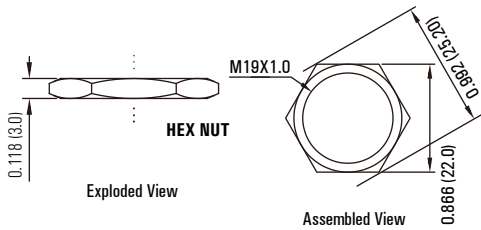


LED terminals marked + and -  
Switch terminals unmarked

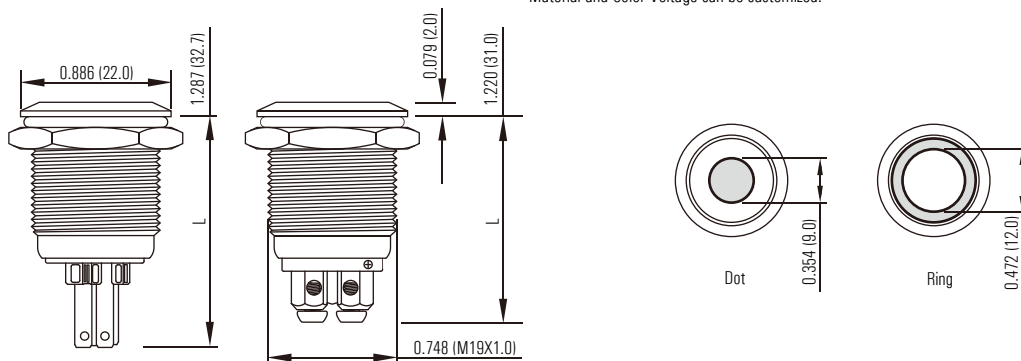
### Panel Cutout



Max. Panel Thickness: 0.394 (10.0)



### Dimension



### Technical Data

Type	19M-F	19M-F/R	19M-F/D
Illuminated Options	Non-Illuminated	Ring	Dot
Terminal	Screw/ Pin(2.8X0.8)		
Max. Switch Rating	0.5A 24VDC		
Contact Resistance	≤ 100m Ω		
Insulation Resistance	≥ 1000m Ω		
Dielectric Strength	2000VAC		
Operation Temp.	-20 C ~ +55 C		
Mechanical Life	300,000cycles(max)		
Electrical Life	35,000cycles(min)		
Contact Material	Gold Plated		
Rear Nut Fixing Torque	0.57Nm		
Operation Pressure	approx. 8N		
Protection	IP65/ IK09		
Material	Switch Assembly: UL94V-0 rated Polyamide (Nylon) Tags: Copper Alloy Terminals: Copper Alloy Switch Body & Button: Stainless Steel/ Anodized Aluminum Lens and Lens Body: Polycarbonate Internal Seal: Silicone O Ring: Nitrile		
Color	Type: LED Voltage: 6V/ 12V/ 24V/ 36V/ 110V/ 230V Color: <span style="color: red;">R</span> <span style="color: green;">G</span> <span style="color: yellow;">Y</span> <span style="color: orange;">O</span> <span style="color: blue;">B</span> <span style="color: white;">W</span>		
Life	Approx. 40, 000hours		

\*Material and Color Voltage can be customized.