

RoHS COMPLIANCE



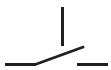
22M-F-S-R-B

- Anti-Vandal IK09/ Sealed IP65**
- Illuminated and Non-Illuminated**
- Momentary**
- Variety of colors**

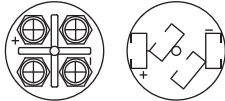
Order Code

Series	Actuator Options	Terminal	Function	Material Finish	Illuminated Options	Color	Color Voltage	Marking Options
22M Micro-trip	F- Flat	Pin(2.8x0.8) blank N- Screw	Momentary Blank	S- Stainless Steel	D- Dot R- Ring Non-illuminated blank	W- White Y- Yellow B- Blue G- Green R- Red O- Orange	6V 12V 24V 36V	Custom Markings Available

Operation

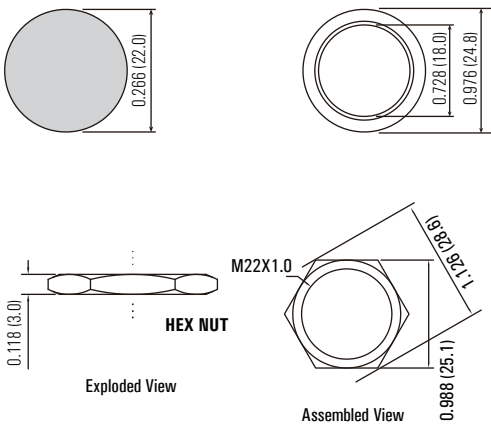


Description

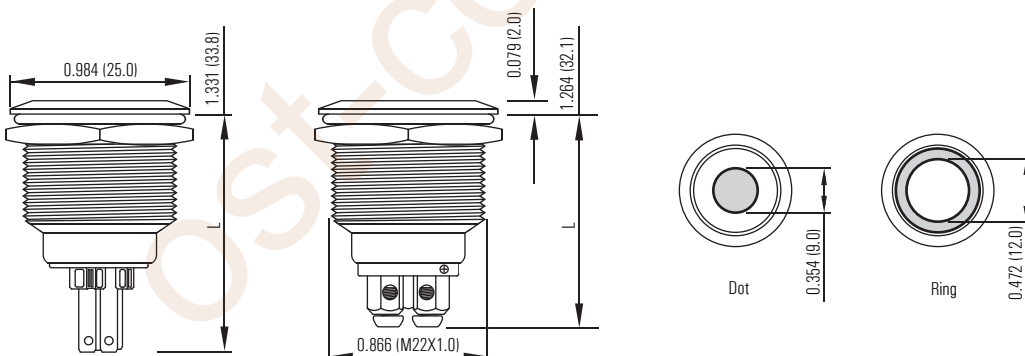


LED terminals marked + and -
Switch terminals unmarked

Panel Cutout



Dimension



Technical Data

Type	22M-F	22M-F/R	22M-F/D
Illuminated Options	Non-Illuminated	Ring	Dot
Terminal	Screw/ Pin(2.8X0.8)		
Max. Switch Rating	0.5A 24VDC		
Contact Resistance	≤ 50m Ω		
Insulation Resistance	≥ 1000m Ω		
Dielectric Strength	2000VAC		
Operation Temp.	-20 C ~ +55 C		
Mechanical Life	1,000,000cycles		
Electrical Life	50,000cycles		
Contact Material	Silver Alloy		
Rear Nut Fixing Torque	0.57Nm		
Operation Pressure	12N		
Protection	IP65/ IK09		
Material			
Switch Assembly	UL94V-0 rated Polyamide (Nylon)		
Tags	Copper Alloy		
Terminals	Copper Alloy		
Switch Body & Button	Stainless Steel/ Anodized Aluminum		
Lens and Lens Body	Polycarbonate		
Internal Seal	Silicone		
O Ring	Nitrile		
Color			
Type	LED		
Voltage	6V/ 12V/ 24V/ 36V		
Color	R G Y O B W		
Life	Approx. 40, 000hours		

*Material and Color voltage can be customized.