

About Capacitive Switches

The new series of capacitive switches technology senses the touch of a finger and creates an electrical charge to activate the switches. An auto-calibration function ensures the sensor adapts to changing external environments. These capacitive switches are specially designed for durability and a low activation force. As sensitive as a touch screen, the capacitive switches are perfect for industrial applications where repetitive activation can cause operator fatigue.

Features:

Activated by the easy touch of a finger, the capacitive switches extremely to use
 Adjustable sensitivity sensor adapts to external environments
 Easy-to-locate or on/off indication is possible through independent or output image LED functionality
 Easy to clean because the switch is impervious to dust and dirt, and resistant to harsh chemicals and contaminants
 50 million cycles and no moving mechanical parts make switches robust and durable
 Available in momentary or latching and with or without illumination

Benefits:

Extreme ease of use, Adaptable, Easy-locate or on/off indication, Easy to clean and Robust and durable

Specifications

ENVIRONMENTAL SPECIFICATIONS

- Sealing : IP68 and IP69K according to IEC 60529
- Triggered by flowing water
- Impact resistance : IK10
- Operating temperature : -20°C to +65°C
- ESD : complies with EN61000-4-2 (extended) ± 8KV (20 contacts) and ± 15KV (20 air discharges)

MATERIALS

- Case : aluminium, anodized and plastic
- Multi-wire leads section 0,22 mm² length 300 mm
- Cable, length 300 mm, section depending on switch model
- Connector : HE14 6V compatible with AMP/TYCO281839-3

ELECTRICAL AND GENERAL SPECIFICATIONS

- Max. current/voltage rating : 200mA 24VDC
- Supply voltage : 5 to 24VDC
- Life expectancy : 50 million cycles
- Power consumption non-illuminated : 7mA
- Power consumption illuminated : 25mA
- Operating force : ON
- LED state for output image option :
 1 LED : the LED is ON when the output is closed.
 2 LEDs : first colour is ON when the output is open. Second colour is ON when the output is closed.
- Output type : NPN



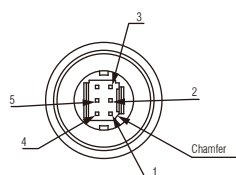
This switch should not be used in safety applications.

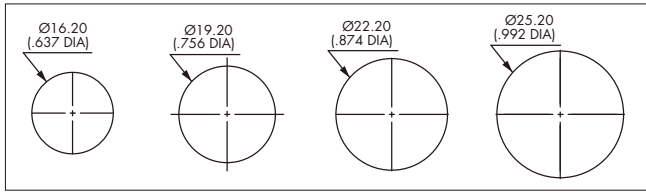
WIRING DIAGRAMS

	Non-illuminated	1 LED		2 LEDs		Legend R red +V Black black GND W white output A = same colour as LED
		Output indicator	Independent	Output indicator	Independent	
OFF-ON						
OFF-MOM						<i>Wire colours may vary. Always refer to the label on the switch.</i>

Wiring for switch connector

Pin 1 : GND Pin 4 : LED 2
 Pin 2 : output Pin 5 : LED 1
 Pin 3 : +V





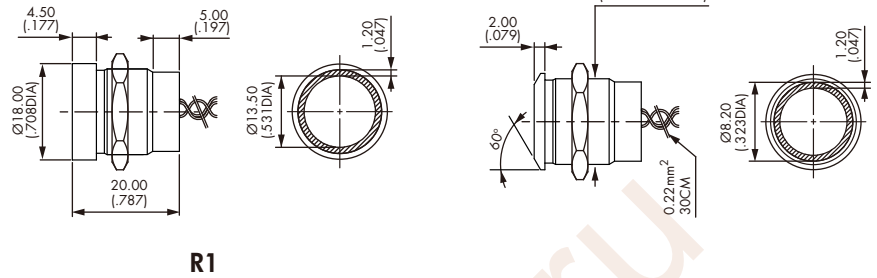
Shown with flying lead terminals.

Bushing Ø 16 mm (.630)



Flat

Chamfer



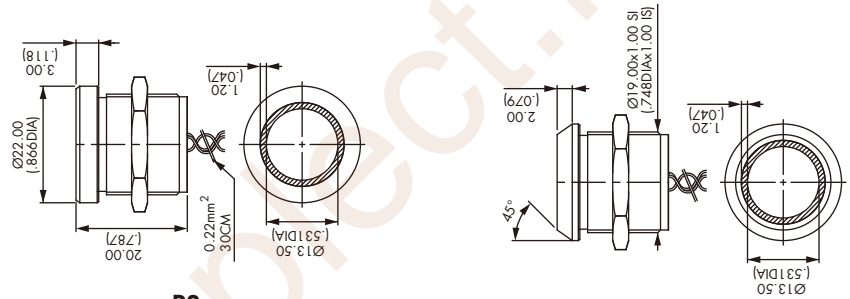
R1

Bushing Ø 19 mm (.748)



Flat

Chamfer



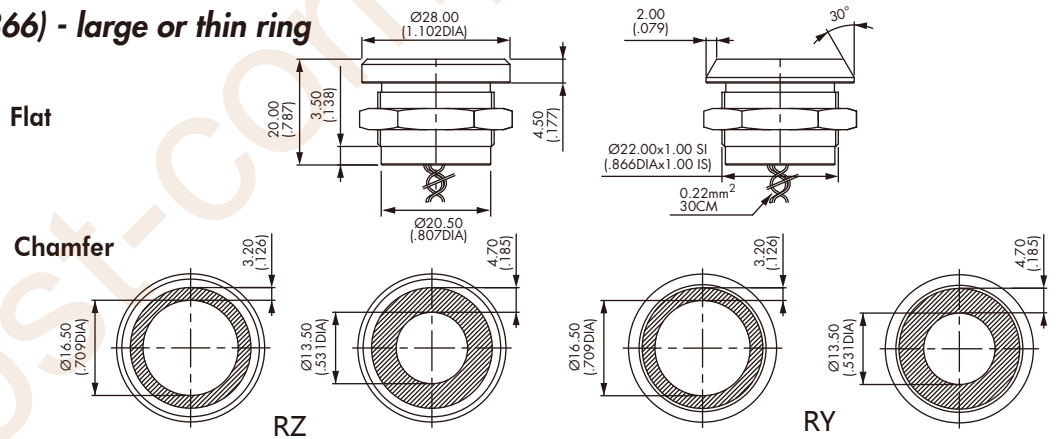
R2

Bushing Ø 22 mm (.866) - large or thin ring



Flat

Chamfer



RZ

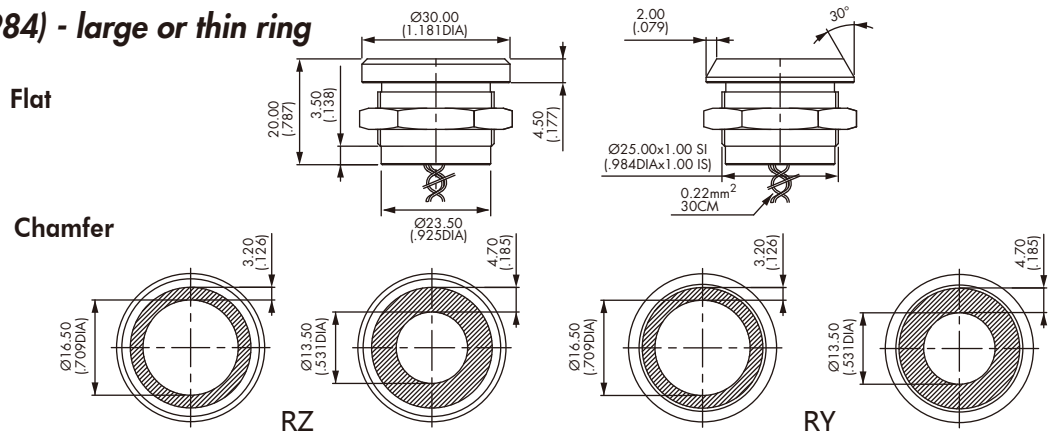
RY

Bushing Ø 25 mm (.984) - large or thin ring



Flat

Chamfer



RZ

RY