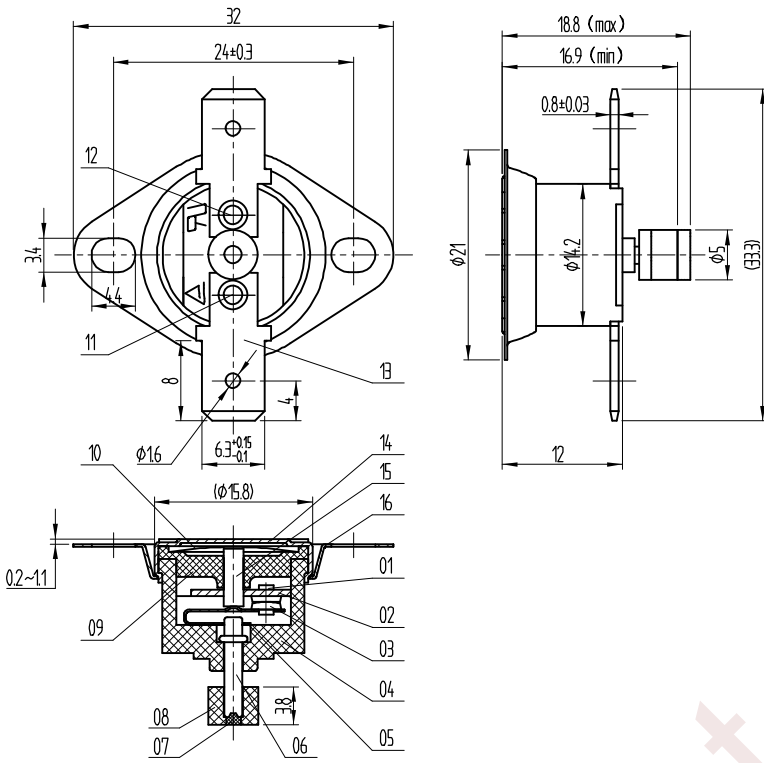
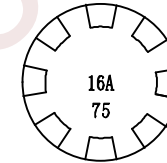


Customer: OST-Complect

Type	Off Temp. (°C)	On Temp. (°C)	Contact State	Obtained standard and Electrical parameters	Remark
	75±3		N. C	250V~16A	



Marking:



No.	Parts Name	Qty.	Material	Remark
16	Flange	1	SUS430	
15	Actuator Pin	1	Ceramic	
14	Cap	1	Aluminium	
13	Terminal	2	Brass	Nickel plated
12	Long Rivet	1	Steel	Tin plated
11	Short Rivet	1	Steel	Tin plated
10	Bimetal Disc	1	Bimetal	
09	Top Cover		PF	
08	Reset button		PF	
07	Bonding		427A	
06	Reset Pin		Steel	Nickel plated
05	Movable arm	1	Alloy copper	
04	Case	1	PF	
03	Movable Contact	1	AgNi/Cu(T2)	
02	Stationary arm	1	Brass	
01	Stationary Contact	1	AgNi/Cu(T2)	

Specification

- Standards According: GB14536.1-2008, GB14536.10-2008, GB/T22687-2008,
- Resistance between terminals: below 50mΩ at DC5V/0.25A (initial figure);
- Insulated resistance: above 100MΩ with DC500V between terminals and cap ;
- Dielectric strength: AC1500V for 1 minute between terminals and cap without breakdown ;
- Heat resistant: 170°C;
- The product meet with the orders of 2011/65/EU RoHS and the orders of 1907/2006/EC REACH;
- Packing: 1 box=2000pcs=100pcs×20Bags, Box size: 470×340×220mm;  
1 box=2000pcs=400pcs×5 box, Box size: 470×340×220mm.
- the measurements no marking toletance, chose the free tolerance from below table.

free tolerance table

measurement range	0~9	9.1~16	16.1~30	>30
tolerance value	±0.2	±0.3	±0.4	±0.5

Old No.

Base No.

Signature

Snap Action  
Thermostat

Sample	Qty.	Weight	Proportion

Mark	Qty.	Content	Signature

Designed

Reviewed

Approved